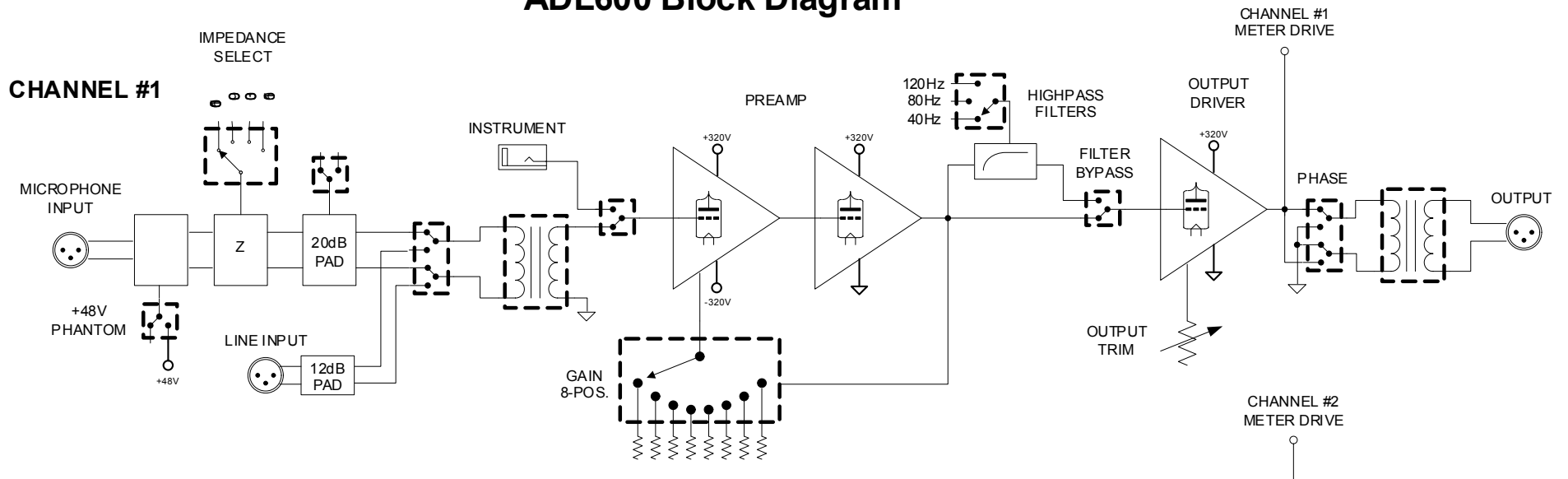


ADL600 Block Diagram



CHANNEL #2
(SAME AS CHANNEL #1)

